

Specifications & Capacities

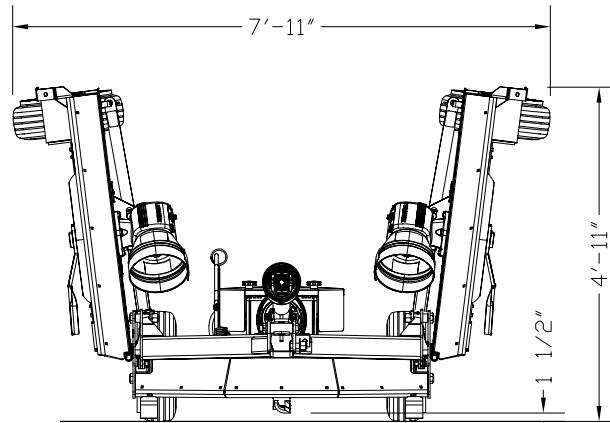
Rotary Cutters, Folding Deck

RC2512 Model

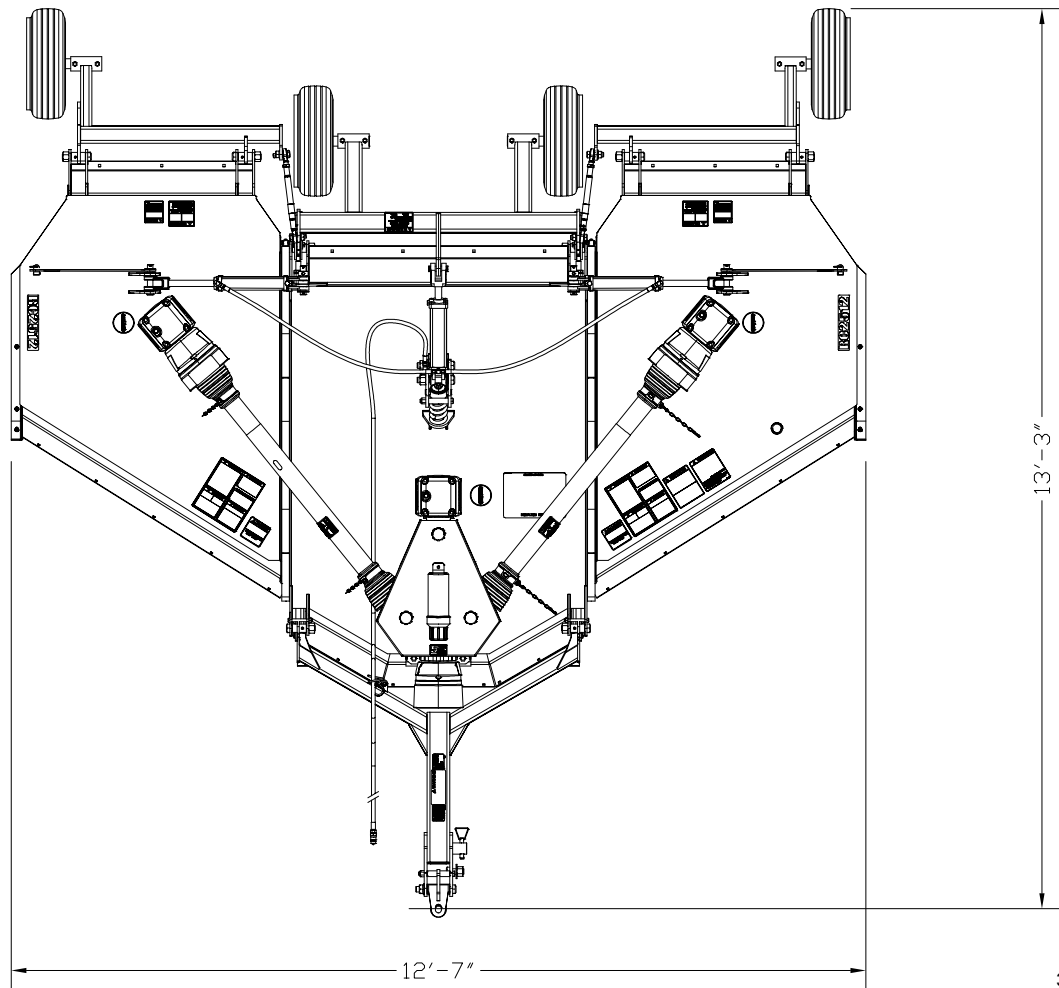
	RC2512
Min. PTO Horsepower	50
Gearbox Horsepower Center & Wings	160 HP 75 HP
Gearbox Shafts Input Shaft Output Shaft	1 3/8" 6 Spline 1 1/2"
Gear Box Capacity & Lubrication Center & Wings	3.5 pints of gear lube 80-90W EP 4 pints of gear lube 80-90W EP
Cutting Capacity	1 1/2"
Hitch Weight	793 lbs.
Machine Weight	2,540 lbs.
Blade Tip Speed At 540 RPM	Center Blades = 16,500 FPM Wing Blades = 16,000 FPM
Hitch Types	Pull-type self-leveling hitch & clevis
Hitch Jack	Standard (2,000 lbs.)
Cutting Width Overall Cutting Width Minimum Transport Width	12'-0" 12'-7" 7'-11" With front cutting blade 1 1/2" off the ground.
Overall Length	13'-3"
Deck Height	11"
Cutting Height	1 1/2" to 12"
Lift Hydraulics	2 1/2" x 8" hydraulic cylinder, hoses, fittings & stroke control spacers
Wing Hydraulics	2" x 8" hydraulic cylinders, hoses & fittings
Wing Transport Protection	Wing transport locks
Deck Material	10 Gauge deck
Side Skirt Material	3/16" Plate
Skid Shoes	Wing Deck: 1 replaceable per wing Center Deck: 2 replaceable shoes
Blade Rotation Left Wing Center Deck Right Wing	Counterclockwise Counterclockwise Clockwise
Blades - 6 (2 per deck)	1/2" x 3" Heat Treated Free Swinging Alloy Steel with up lift
Blade Overlap	6"
Blade Bolt	Keyed with hardened flat washer & lock nut
Stump Jumper / Blade Holder	10 Gauge round dish shaped pan, reinforced with 1" x 3 1/2" blade bar
Front & Rear Guards	Single chain
Input Driveline	ASAE Category 4 with constant velocity u-joint
Intermediate & Wing Drivelines	ASAE Category 3 with slip-clutch
Wheels	20.5" x 6.75" x 10" used Aircraft Tires
Number of Wheels	4 - Wheels: 2 on transport axle and one on each wing axle
Transport Axle	Spring-cushioned lift cylinder
Hubs	Cast iron five-bolt hubs with tapered roller bearings and 1 3/4" shafts.
Colors	Standard color: Beige; Optional colors: Red, Green or Orange

Designs, specifications, features and information are subject to change without notice.

Rotary Cutters, Folding Deck



Transport Width Without Special Adjustments.
Center Deck Cutting Blade 1 1/2" Off The Ground



30638

Dimensions Shown With Center Deck Cutting Blade 1 1/2" Off The Ground

Designs, specifications, features and information are subject to change without notice.