

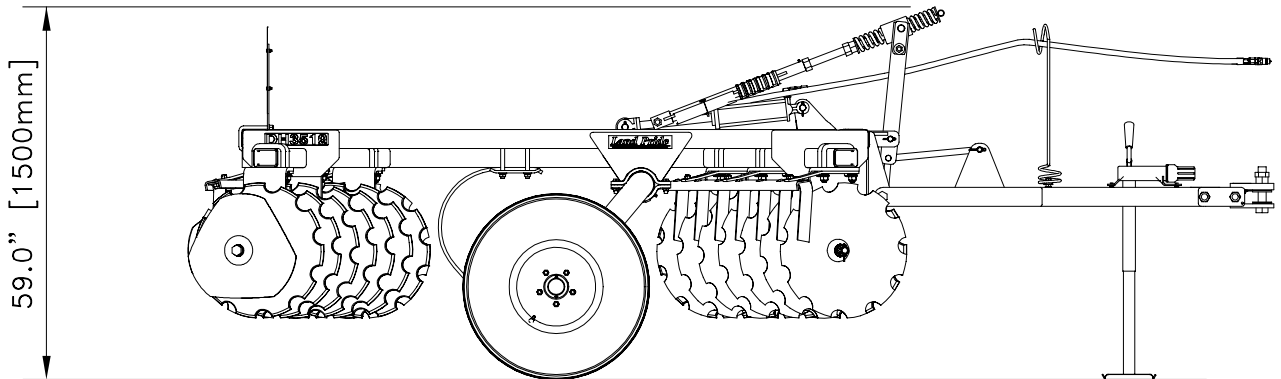
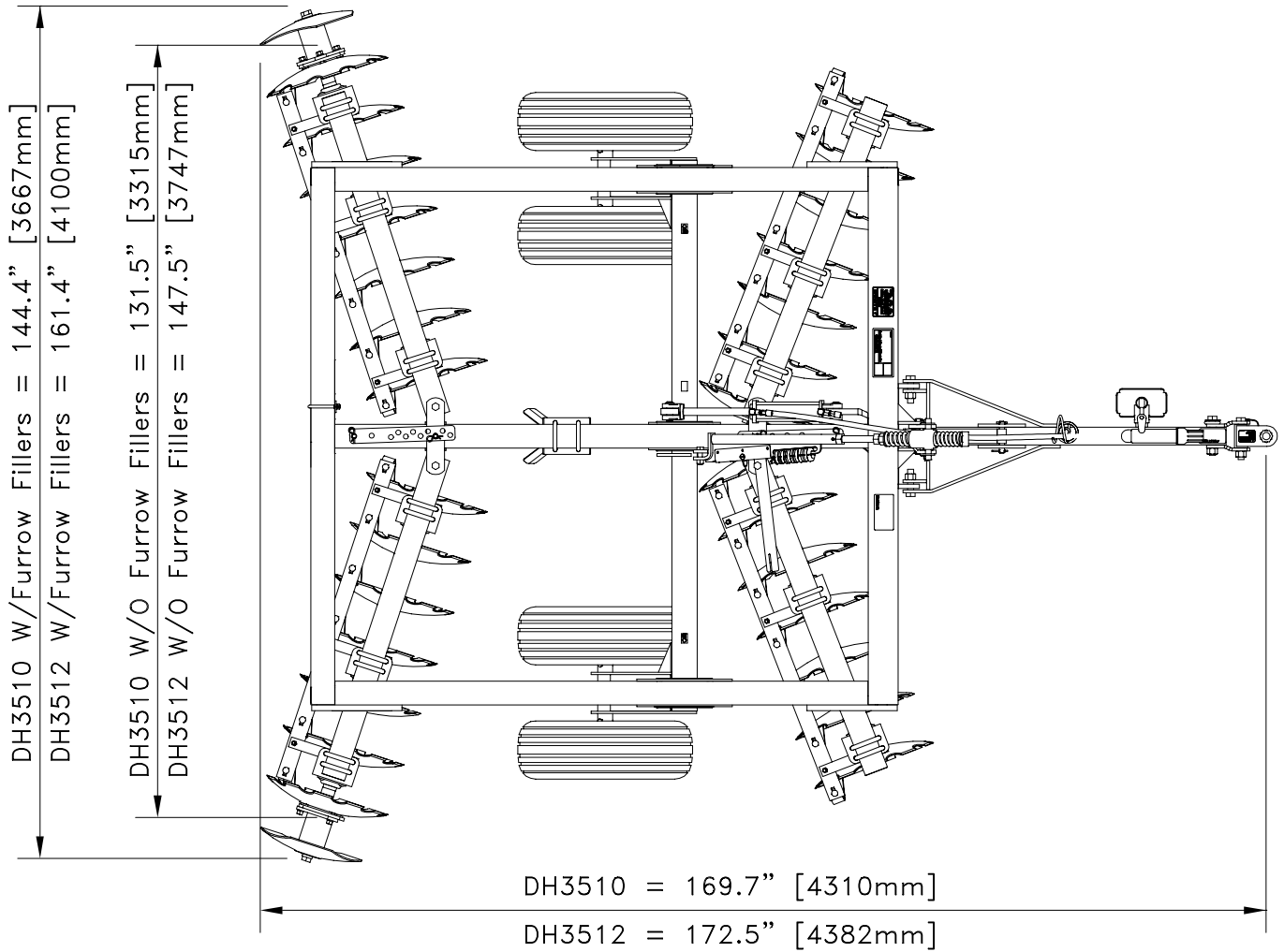
Disc Harrows

DH35 Series

Description	DH3510	DH3512
Drawbar horsepower requirement	45-75 hp	55-80 hp
Hitch type	Pull-type w/clevis & hole for 1 1/4" pin	
Hitch frame construction	3"x 3" x 1/4" Wall tubing w/hose carrier and jack mount	
Transport width	10' -10" Base unit	12'-4" Base unit
Max. cultivation width	10'- 6" Approx.	12'-0" Approx.
Mainframe Width	93"	
Approx weight load on each blade with 7.5" spacing	79 to 84 lbs	76 to 82 lbs
Approx weight load on each blade Blade with 9" spacing	87 to 93 lbs	81 to 86 lbs
Disc blade sizes and types	20" or 22" Notched or smooth	
Disc blade spacing	7.5" or 9"	
Disc bearing type	Greaseable & triple sealed ball bearings	
Number of bearings	12 For all ten foot disc configurations	12 For 9" disc spacing 16 For 7.5" disc spacing
Forward gang angle adjustment	Single pin adjustment to 15, 16 1/2, 18, 19 1/2 or 21 degrees	
Rear gang angle adjustment	Single pin adjustment to 12, 13 1/2, 15, 16 1/2 or 18 degrees	
Side mainframe construction	3" x 4" x 3/16" Wall tubing with gusset reinforcements	3" x 4" x 3/16" Wall tubing with gusset reinforcements
Mainframe front tube	5"x 3" x 1/4" Wall tubing	
Center gang beam construction	4"x 3" x 1/4" Wall tubing	
Gang swing arm	4"x 3" x 1/4" Wall tubing	
Gang axle construction	1 1/8" Square hi-strength steel	
Front to rear leveling system	Manual crank adjustment	
Depth control	Cylinder stroke control spacers	
Hydraulic cylinder for depth/lift control	3"x 8" Hydraulic cylinder with hoses and fittings	
Transport tires & rims	Two 9.5L x 15 tires mounted on 15" x 6"	5-bolt rims
Disc scrapers	Optional	
Center sweep kit	Optional	
20" Rear furrow filler pair	Optional	
18" Rear furrow filler pair	Optional	
Tongue jack	Optional	
Dual wheel transport kit	Optional	

Designs, specifications, features and information are subject to change without notice.

Disc Harrows



26581

Overall Dimensions

Designs, specifications, features and information are subject to change without notice.