

**Disc Harrows**

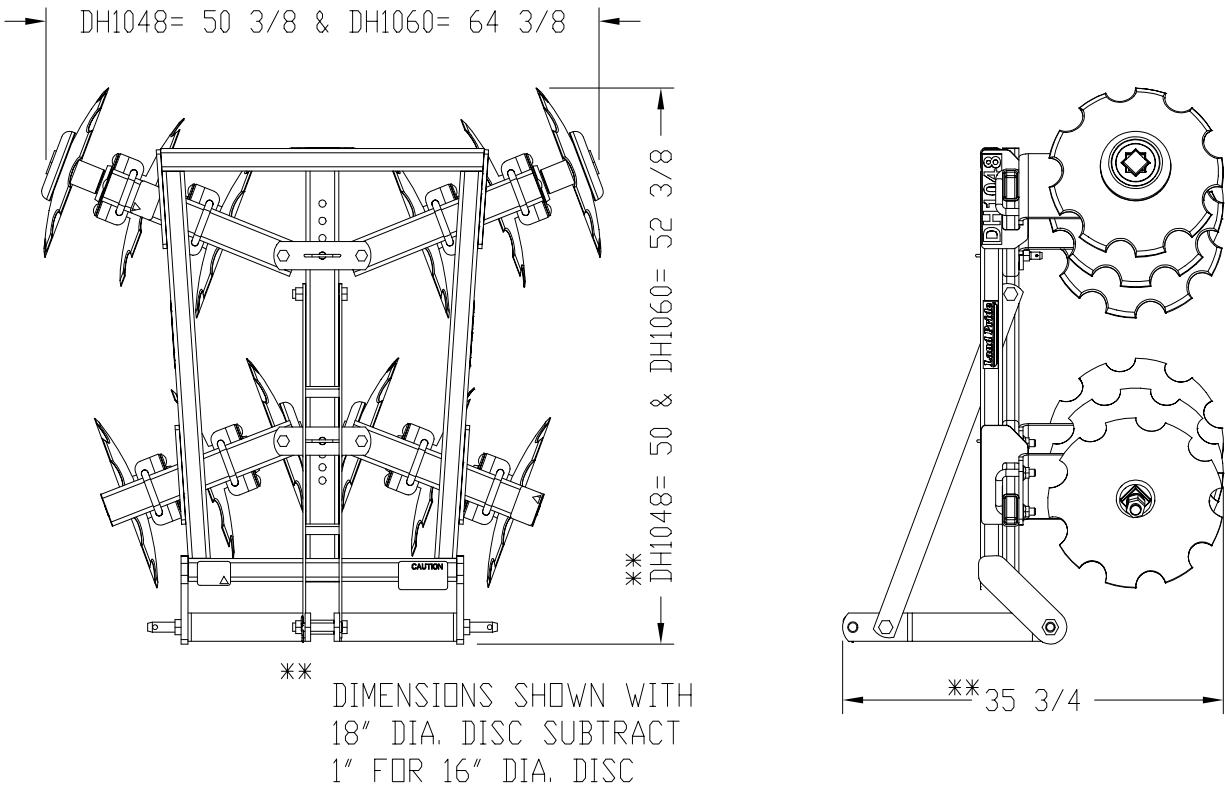
**DH10, DH15 and DH25 Series**

	DH1048	DH1060	DH1560	DH1572	DH1590	DH2572	DH2596
<b>3-Point hitch type</b>	Cat. I (Fits Land Pride Quick Hitch)					Cat. I & Cat. II Fits Land Pride Quick Hitch	
<b>Cultivation width</b>	48"	60"	60"	72"	90"	72"	96"
<b>Height</b>	34 3/4"	34 3/4"	40 1/8"			40 1/4"	
<b>Length with large dia. disc blades</b>	50"	51 3/8"	57 5/8"	60 1/8"	63"	70 3/4"	73 1/2"
<b>Weight</b>	421 lbs.	533 lbs.	628 lbs.	714 lbs.	865 lbs.	947 lbs.	1143 lbs.
<b>Weight load on each disc</b>	35 lbs.	33 lbs.	38 lbs.	34 lbs.	36 lbs.	59 lbs.	66 lbs.
<b>No. of disc blades</b>	12	16	16	20	24	20	24
<b>Disc blade sizes</b>	16"	16" or 18"	18"			20" or 22"	
<b>Disc blade types</b>	Notched or smooth					Front - notched Rear - smooth or notched	
<b>Disc blade spacing</b>	7 1/2"					7 1/2"	
<b>Bearing hanger</b>	3/8" Plate with 5/8" u-bolts		3/8" Plate, 2 each 5/8" u-bolts			1/2" Plate, 2 each 5/8" u-bolts	
<b>Bearing type, 2 per gang</b>	Self aligning, sealed ball bearing						
<b>Disc angle</b>	Front & rear gang: 0, 7, 14, & 21 degrees		Front gang: 0, 7, 14, & 21 degrees with angling adjustment handle Rear Gang: 7, 14 & 21 degrees With angling adjustment handle				
<b>Frame tubes</b>	2" square		2 1/2" square			3" square	
<b>Gang tube</b>	3" x 1 1/2"		3" x 2"			4" X 3"	
<b>Gang axle</b>	1" Square high carbon steel					1 1/8" Square high carbon steel	
<b>Disc scrapers</b>	Not available		Optional, Adjustable			Optional, Adjustable	
<b>9" Center sweep</b>	Not available		Optional, Removes center ridge				

*Designs, specifications, features and information are subject to change without notice.*

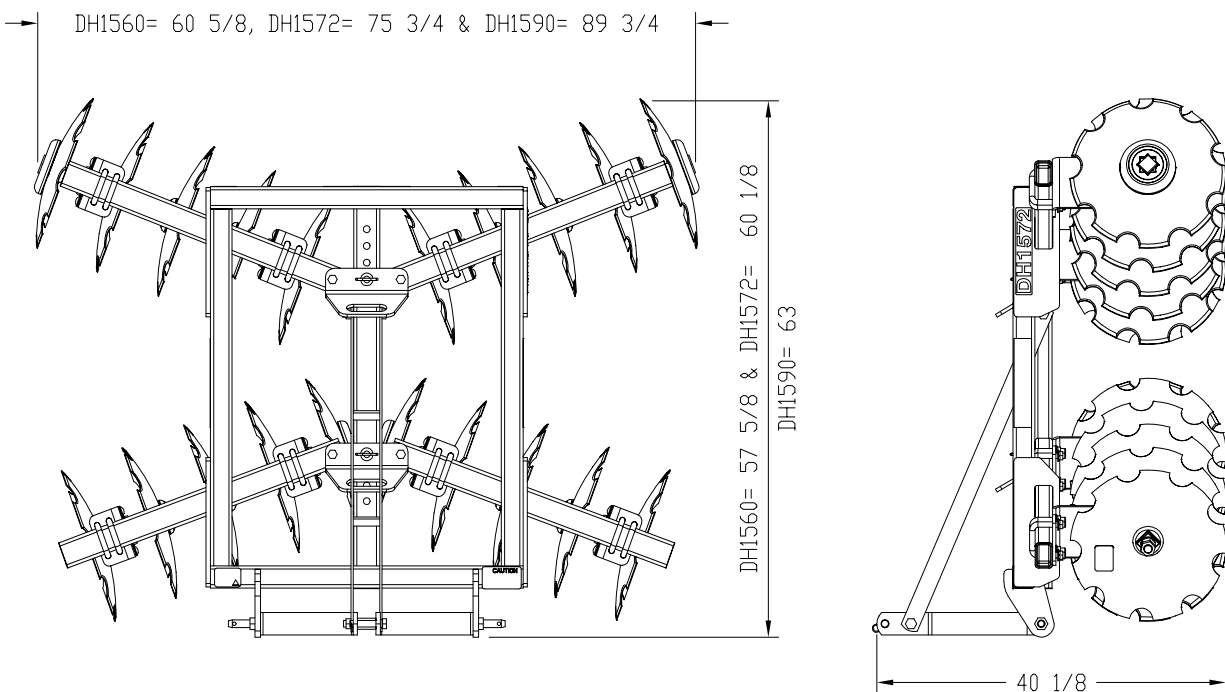
# Specifications & Capacities

## Disc Harrows



**DH10 Series Disc Harrow**

26751



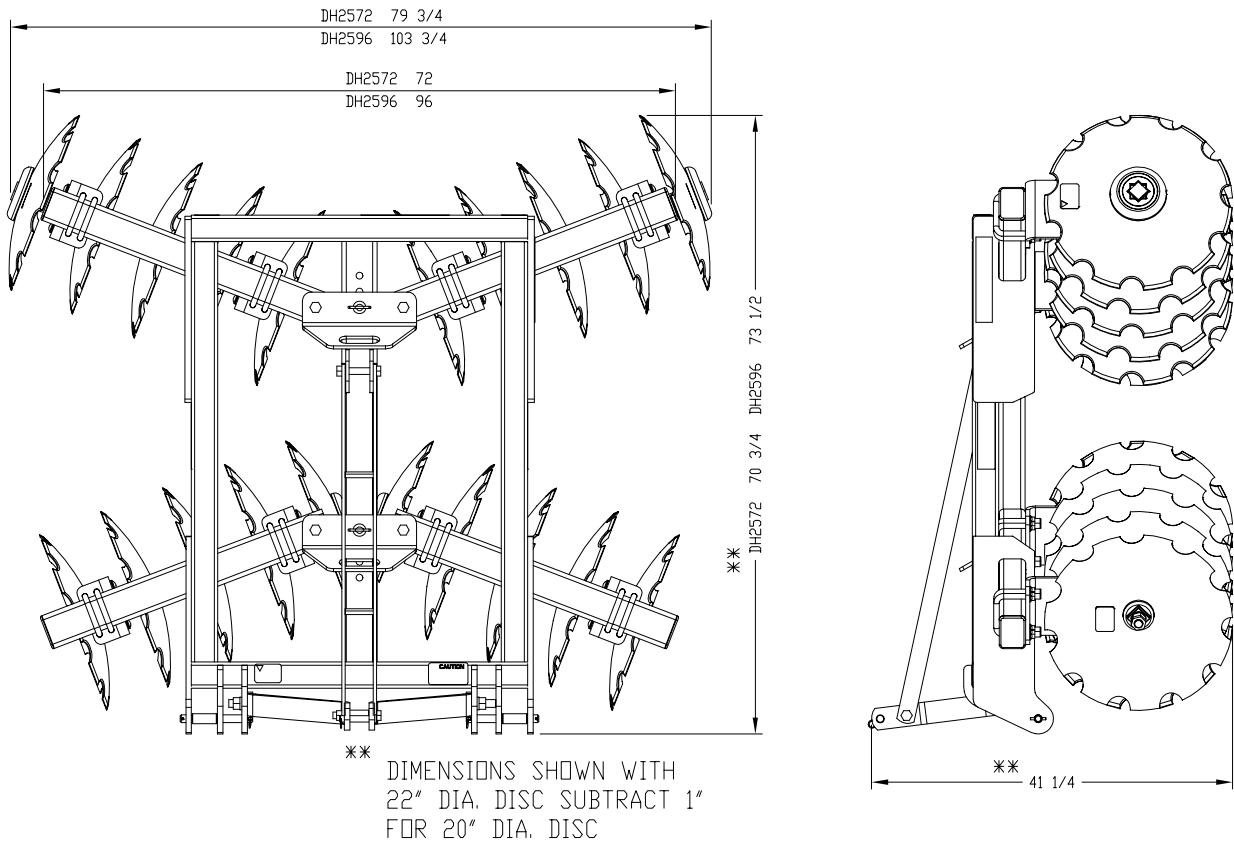
**DH15 Series Disc Harrow**

26753

*Designs, specifications, features and information are subject to change without notice.*

# Specifications & Capacities

## Disc Harrows



**DH25 Series Disc Harrow**

26756